

A close-up photograph of light-colored wood-grain laminate flooring, showing the natural grain patterns and knots of the wood. The planks are laid in a staggered pattern.

A GUIDE TO LAYING SNAP-TOGETHER LAMINATE FLOORING



A GUIDE TO LAYING SNAP-TOGETHER LAMINATE FLOORING

Unlike parquet flooring, there is no reason not to install laminate yourself. And KRONOTEX flooring is quite easy to lay, even for inexperienced DIYers. The panels use a tongue-and-groove “Clic” system that lets you simply snap panels together without the need for any special knowledge or tools. However, for best results it is important to follow a few basic rules before and after installation.

PREPARATIONS

Before installing laminate flooring, it is helpful to keep a few basic facts in mind:

The dimensions and any special characteristics of the room, available tools and materials, and the preferred thickness and structure of the flooring. You start with the underlayment.

TRANSPORT AND STORAGE

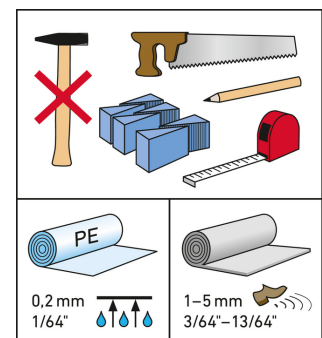
Please transport KRONOTEX flooring carefully without removing it from the original packaging. Large quantities should also be stored in the original packaging to prevent damage. If you intend to store panels for a long period of time, please read the tips in our article on storage of laminate flooring.

GETTING READY TO LAY

- To calculate how many square meters of laminate flooring you will need, measure and multiply the room’s length and width and then add an extra 10% to account for trim. This is very easy to do with the online calculator that you’ll find here on our website for each décor. It also tells you how many boxes you will need.
- Acclimate KRONOTEX laminate flooring by storing the unopened packages for at least 48 hours at room temperature (at least 18°C) where it will be installed.
- Prior to laying KRONOTEX snap-together laminate panels, check them once again to ensure that they are undamaged, of the right size and identical in appearance when viewed in daylight at the installation site. If you discover any actual defects, please contact your dealer or sales representative right away.
- We also recommend that you devote thought to a laying pattern before starting. It is also very helpful to calculate the panel lengths for the first two or three rows and cut them to size. The panels of the last row should not be narrower than 5cm. To achieve this, it may be necessary to make the first row narrower.

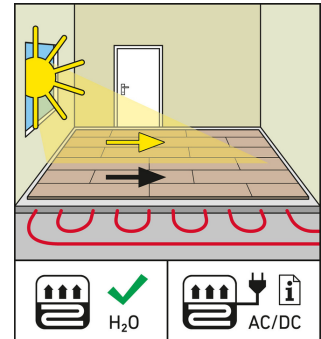
TOOLS & MATERIALS NEEDED TO LAY LAMINATE FLOORING

- Pencil, angle, folding rule
- Circular saw, jigsaw or laminate cutter
- Spacers
- PE vapour barrier (*for Concrete subfloors only*), underlayment, Stanley knife or box cutter, possibly sticky tape
- Laminate flooring, skirting boards, transition profiles



BASIC RULES FOR LAYING SNAP-TOGETHER LAMINATE FLOORING

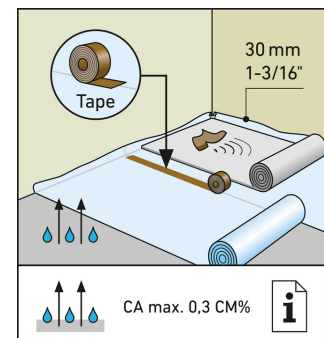
1. Lay the flooring at an ambient temperature of at least 18°C, a floor temperature of at least 15°C and relative humidity between 50% and 60%. These conditions should also persist during the first three days after installation. Keep windows and doors closed the room while laying.
2. Laminate flooring looks best when laid with the panels parallel to the main light source. (refer to the diagram on the right)
3. Before starting to lay, calculate the width that the last row of panels will have. It should not be less than 5cm. This may make it necessary to trim the first row accordingly.
4. KRONOTEX snap-together laminate flooring is intended to float on the subfloor. In other words, it should not be glued, nailed or otherwise fastened. As wood is a natural material, the laminate works and moves. The floating installation and wall gap ensure enough leeway for it to flex and expand slightly.
5. Fix skirting boards to the walls, not the floor!
6. Please follow the installation instructions precisely. If the flooring is improperly laid, the warranty will be voided. If any problems arise, stop work immediately and contact your sales representative.



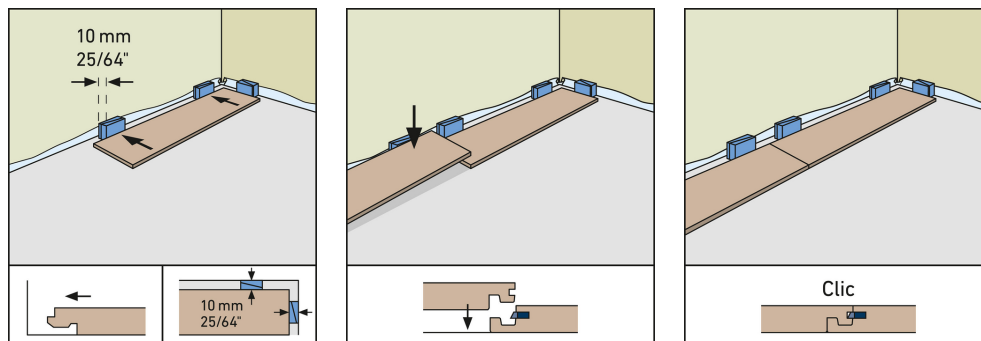
STEP-BY-STEP INSTRUCTIONS FOR INSTALLING SNAP-TOGETHER LAMINATE FLOORING

After making sure that the subfloor is suitable and letting the laminate flooring panels acclimate in the room for at least 48 hours, you can proceed with installation:

1. If you are laying the flooring on screed or concrete, put down a vapour barrier first. Either overlap the sheets of membrane by 20cm (8 inches) or glue them edge to edge. Make sure that they extend up the walls by about 3cm (1 inch). "Do Not Put Vapour Barrier on Wood Subfloors"
2. The next step is to apply an acoustic underlay. Lay sheets of it at 90° angles to the direction that the laminate panels will run and use sticky tape to fix them to one another. (refer to the diagram on the right)

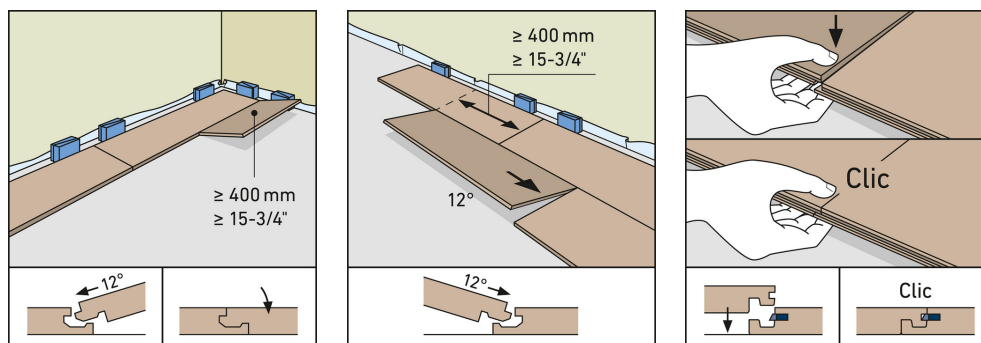


3. Lay the **first row of snap-together laminate flooring**. Start in the right-hand corner of the room and lay the panels so they run parallel to the window or other light source. Lay the panels lengthwise along the wall leaving a gap 10mm wide and snap their short sides together. Wood wedges are excellent spacers. You will almost certainly have to shorten the last panel in the row. To do so, use a circular saw, jigsaw, or a special-purpose laminate cutter. The last piece should not be shorter than 40cm (16 inches). It may be necessary to shorten the first panel as well to prevent this (making sure that it is also at least 40cm long).

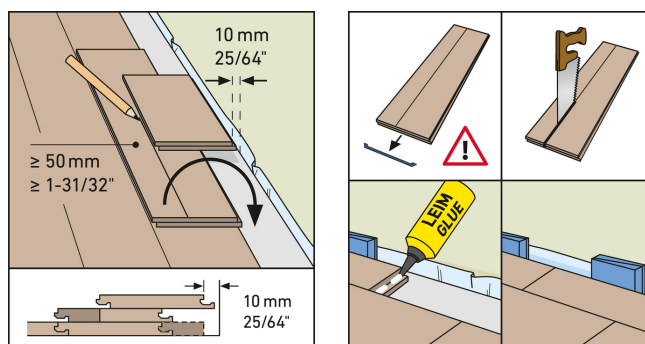


4. Always place panels with the décor side facing down for cutting. Make your marks on the back. Use a circular saw, jigsaw or laminate cutter.

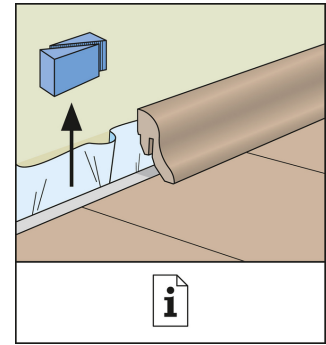
5. You can start the **next row** with the piece left over from cutting the first, provided that it is at least 40cm long. This will result in an attractive stepped pattern. The tongue-and-groove joints in adjacent rows should be staggered by at least 40cm to stabilise them. Insert each new panel at a sharp angle into the edge of the already-laid panel and press it down until you hear it audibly click into place. It's very easy to do by lifting both up them up a bit at the joint and then pushing down on it until it clicks. The angle is right if you can easily connect the panels without exerting any force. You'll get the hang of it fast!



6. The **last row** of laminate flooring will almost certainly be too long, making it necessary to trim it. Remember to leave a sufficient gap along the wall. If the panels there are also too wide, they must be made narrower. Remove the blue springs at their ends and join the panels using a water-free glue.



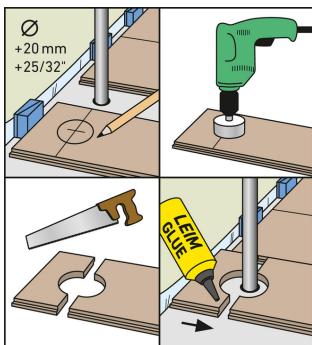
7. Before attaching the **skirting boards**, first use a Stanley knife or cutter to trim excess membrane so it will not protrude above them. It is best to cut the skirting boards to size with a miter saw. (refer to the diagram on the right)
8. **Transition rails** must be mounted between different floor coverings in adjacent rooms. Depending on the type, they must be glued, screwed, or snapped into place.



SPECIAL INSTALLATION SITUATIONS

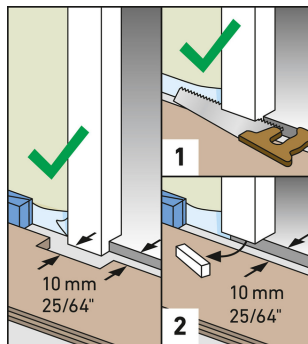
Heating Pipes

Where heating pipes etc. stick out of the floor, first cut the panel to the right length, then lay it next to where it will go and use a folding rule to measure and mark where the openings are needed. Here too, remember to leave a 10mm gap round them. Now you can use a drill to remove the marked areas. Next, use a saw to bevel the edges of the hole at a 45° angle. This increases the surface area for gluing. Apply D3 glue to the sawed-off piece, place it behind the heating pipe and tightly join it to the other piece of panel.



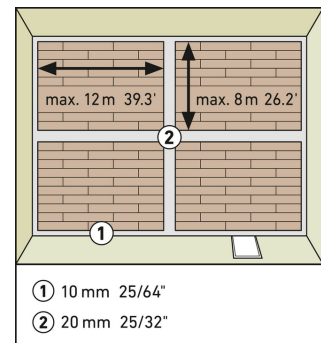
Door Frames

Wooden doorframes should be shortened. Lay a panel next to the frame with the décor side down. Use a suitable saw to sufficiently shorten the frame, then slide the panel under it with the décor side up. With steel doorframes that cannot be shortened, make an appropriately shaped cut-out in the panel instead.



Expansion Elements for Large Rooms

In rooms that are more than 12 meters long and/or eight meters wide, an expansion element is also needed in the middle. This also applies to doorways, archways (doorless openings between rooms), protruding masonry and rooms with complex shapes. You can find out everything you need to know about this in our article on expansion joints.



For more details on KRONOTEX LAMINATE FLOORING GUIDE, please visit:
www.kronotex.com/Laminate-Flooring-Guide-2137424648.htm

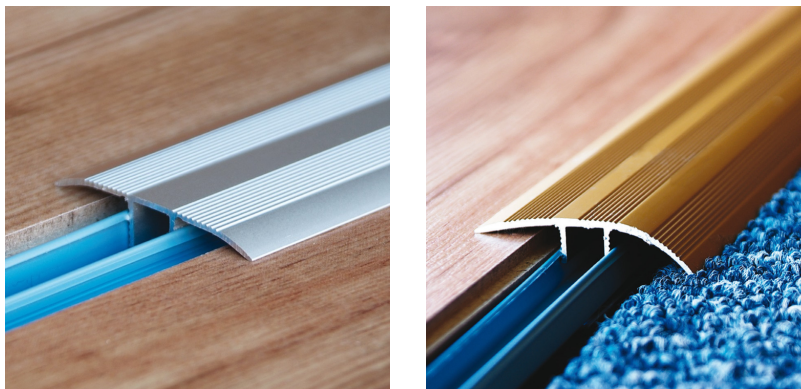
TRANSITION PROFILES AND COMPENSATION PROFILES

Transition profiles are used wherever two floors meet. For example, this situation occurs at doors when one laminate floor meets another laminate floor or a different floor covering. A matching transition profile creates an attractive appearance and achieves an elegant transition between different floors. A frequent occurrence in large open rooms is when a kitchen area, for example, has a different floor design to the dining or living area. In the case of particularly large rooms, expansion joints are needed even within a continuous laminate floor area which are also hidden by transition profiles.

TRANSITION PROFILE OR COMPENSATION PROFILE?

You use transition profiles when two floors of the same height meet. Compensation profiles, on the other hand, are used on floors of different heights. As it says on the tin, they compensate for different heights of different floor coverings, thereby minimizing the risk of tripping. This can occur, for example, if laminate and carpet meet at a door or even laminate and tiles. Different laminate floorings can also have different thicknesses with the result that different heights can occur.

There is a large selection. There are profiles in different styles, colours, finishes, with a wood look or in metallic colours, in plastic or aluminum, for gluing or screw fixing. In this way, the channels can be perfectly matched to the decor of the laminate flooring and the sub-floor. We recommend that you take a piece of the floor covering with you when you buy in a DIY store or in the specialist retail trade. That way you can compare directly whether the colours and textures match.



TIPS FOR FITTING TRANSITION AND COMPENSATION PROFILES

Transition profiles and compensation profiles always consist of two pieces: a base rail or channel and the cover or profile which is later visible.

Two aspects need to be considered before fitting or even before buying the transition profiles:

1. Sub-floor: Wooden floor? Screed? In the case of underfloor heating, for example, you should not use profiles requiring screws to fix them.
2. Expansion joints: How wide are the expansion joints which have to be covered by the profile? Select the right width of profile when you buy one, depending on the size of the expansion joint.

PROCEDURE FOR FITTING COMPENSATION AND TRANSITION PROFILES

1. Cut the transition profile to the required length. This is best done with a chop saw or a hacksaw.
2. Please make sure that there is a gap of 10 mm on either side between the profile and the floor covering. Incidentally, the impact sound insulation ends with the laminate and does not lie under the transition profile. To mark the position of the channel, you can draw a line to help you on the sub-floor with a pencil. In the case of doors, the profile should be exactly underneath the door leaf.
3. Then the channel can be fixed to the sub-floor. The channel is either glued or screwed, depending on the type of profile concerned.
 - **Screw fixing:** Use the channel to mark the holes needed for the screws on the sub-floor along the line marked. Now drill holes in the floor and fix the channel with wall plugs and screws.
 - **Gluing:** Apply the adhesive to the position marked on the floor and the channel. Then press the channel onto the marking and allow the adhesive to dry for the specified time. Self-adhesive channels are also available which makes things easier.
4. In the case of an expansion joint, either continue laying the same floor or start with the different covering. Please maintain a gap of 10 mm from the channel.
5. The final step is to fit the profile onto the channel; usually this is a simple snap-on connection. And now you have an elegant transition from one floor covering to the next one. Done!

#ACCESSORIES

What about transitions to other rooms? The last step is placing the skirting boards – the different styles give the room a special touch. Now the important thing is proper care. #care

Information Source:

<https://www.kronotex.com/Laminate-Flooring-Guide/Installing-snap-together-laminate-flooring-1419384348.html>