

Collection:	Adirondack
Type:	Floating Engineered Wood Flooring
Installation System:	Clic (Tap & Go®)

PLEASE READ THIS DOCUMENT IN ITS ENTIRETY BEFORE PROCEEDING WITH THE INSTALLATION.

Wood flooring is a natural product, both unique and of high aesthetic value, characterized by distinctive variations in grain and color. These natural variations in grain and color are not defects but rather integral components of the natural beauty and unique character of wood flooring. Goodfellow wood floors are manufactured in accordance with industry-accepted standards, allowing for a maximum of 5% defects. Defects may be natural or related to the manufacturing process.

TABLE OF CONTENTS

Preparation	2
Product order	2
Product inspection	2
Environment.....	2
Job site	3
Acclimation	3
Subfloors	3-4
Installation tools	4
Installation	5
Step-by-step.....	5-8
Dismantling	9
Maintenance	9
Cleaning	9-10
Protection	10
Warranty	10-12

SECTION 1 – PREPARATION



IMPORTANT : CONDUCT A VISUAL INSPECTION OF THE BOARDS BEFORE INSTALLATION. ONCE INSTALLED, THE BOARDS ARE CONSIDERED ACCEPTED BY BOTH THE INSTALLER AND THE OWNER.

Product Order

When flooring is ordered, a 5% allowance factor, depending on the layout, must be added to the actual square footage amount needed. Diagonal installations may require up to a 10% allowance factor.

Select appropriate underlayments that are no more than 3 mm thick, such as those with a vapour barrier for installation on concrete subfloors.

Product Inspection

The installer is responsible for the final inspection of the entire flooring to judge its quality. This inspection should be done before installation.

The grade, fabrication, surface quality, colour and finish must be carefully examined. With reasonable judgement, put aside or trim boards with small defects, whatever the cause.

If the installer doubts the manufacturing or finishing quality and cannot install the board in a more inconspicuous place, or eliminate the imperfection, they should not install it. Once the board is installed, it shall be considered as having been accepted by the installer and the owner, even if the latter is absent at the time of installation.

If you consider that the flooring is not acceptable, contact your dealer immediately.

Environment

Before starting the installation, the installer must determine if the work site environment and the type and condition of the involved subfloor are acceptable, ensuring they meet or exceed the specified requirements in the Goodfellow installation instructions that follow.

Goodfellow disclaims any responsibility for work failure resulting from or associated with inappropriate or poorly prepared subfloors or deficiencies in the work site environment.

The Adirondack engineered flooring must be installed in an environment where the relative humidity is between 40% and 55% to prevent certain issues not covered by the warranty (swelling, cracks, delamination, etc.). The installation of a humidifier and dehumidifier may be necessary, especially if you have a radiant floor.

Job Site

In a new construction, wood flooring should be one of the last materials installed. The flooring should not be **delivered** until the building is closed, and cement, plaster, paint, or other materials are completely dry. Concrete and plaster must be dry for at least 60 days.

Store the flooring in a dry location, not in direct contact with concrete or near exterior walls. Ensure a ventilation space of at least 4 inches below and around the boxes.

Handle with care. Do not stand on or support the planks on their ends.

Inspect basements and crawl spaces to ensure they are dry and well-ventilated to prevent moisture damage.

Any work involving water or moisture, such as plumbing, acoustic ceiling, joint compound taping, and more, must be completed before wood flooring installation.

Heating and air systems must be fully functional to maintain a consistent room temperature of 16 to 27°C (60 to 80°F) and a relative humidity of 40 to 55%.

This engineered wood flooring can be installed on all levels of the house. However, do not install in bathrooms.

Acclimation

Wood is a living product that responds to changes in relative humidity levels. In summer, when humidity is higher, the wood expands and absorbs moisture. These variations should be minimized with adequate dehumidification. On the other hand, in winter, when the heating system is active, the relative humidity in the house is much lower.

Therefore, it is recommended to use a humidifier to minimize the extreme effects of shrinkage. When the flooring is delivered to your building or room, the boxes should be placed in the installation area, and the relative humidity level should be maintained between 40% and 55% throughout the year.



IMPORTANT : ADIRONDACK CAN BE INSTALLED OVER A SUBFLOOR EQUIPPED WITH A RADIANT HEATING SYSTEM. HOWEVER, RADIANT HEATING SYSTEMS TYPICALLY PRODUCE DRY HEAT THAT CAN REDUCE AMBIENT HUMIDITY. SINCE IT IS CRUCIAL TO MAINTAIN A HUMIDITY LEVEL BETWEEN 40% AND 55% AT ALL TIMES, IT IS NECESSARY TO USE A HUMIDIFIER WHEN THE RADIANT HEATING SYSTEM IS OPERATIONAL.

Subfloors

APPROVED SUBFLOORS FOR ADIRONDACK FLOATING ENGINEERED WOOD FLOORING

- Plywood 5/8" – OSB 23/32" (joists spaced up to 16" on center)
- Plywood 3/4" – OSB T&G 23/32" (joists spaced up to 19.2" on center)
- Concrete with an underlayment featuring a vapor barrier of (6-mil)

RADIANT SUBFLOOR HEATING SYSTEM

The radiant heating system must be operational and heating for at least 7 days before installing the floor.

Before beginning the floor installation, turn off the radiant heating system and allow the floor to cool to room temperature for approximately 3 to 4 hours. After installation, promptly restart the system.

The temperature of the finished surface should never exceed 27°C (86°F) throughout the lifespan of the floor.

SUBFLOOR CONDITIONS

CLEAN: Remove any traces of wax, paint, oil, sealers or sealants, adhesives, and other debris from the subfloor. Any adhesive residue from previous flooring installations must be completely eliminated. When preparing the floor, do not use products containing citrus oils, solvents, or petroleum, as they may damage or stain the new flooring.

LEVEL/FLAT: Ensure a maximum horizontal tolerance of 5 mm over 3 m (3/16 inch over 10 ft) or 3 mm over 2 m (1/8 inch over 6 ft). Additionally, sand down any bumps and joints. If the floor is to be glued, fill any depressions with latex additive cement surfacing product with a compressive strength of at least 20,000 kPa.

INSTALLATION ON CONCRETE: Concrete subfloors must have been finished for at least 90 days before installing the floor. Check the moisture content of the concrete subfloor using an appropriate moisture meter (Tramex). The reading should not exceed 4.5 on the upper scale. Another acceptable method of verification is a polyethylene test.

Guidelines for polyethylene test: Apply 90 cm (3 ft) square pieces of polyethylene film to the concrete subfloor, ensuring all edges are fully sealed with waterproof tape. Leave in place for 24 hours. If concrete darkens or condensation appears on the film, it indicates the presence of moisture, requiring further measures.

INSTALLATION ON PLYWOOD OR OSB : The moisture content of wood subfloor materials should not exceed 12%. Using a wood moisture meter, measure the value on both the subfloor and the wood floor. The difference between the two values should not exceed 4%.

Installation Tools

Power Tools: Table saw, electric miter saw, band saw, chainsaw, electric jamb saw, or jigsaw.

Hand Tools: Broom and dustpan, or vacuum; tape measure; wood, concrete, or dual moisture meter; chalk line and chalk; 3M blue tape; hand saw; hammer; rubber mallet; tapping block; pry bar; filler stick and touch-up pencil; hardwood floor cleaner.

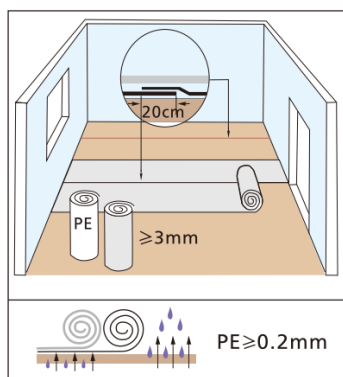
SECTION 2 – STEP-BY-STEP INSTALLATION INSTRUCTIONS

Goodfellow cannot be held responsible and will not assume any labor or installation costs associated with improper installation of its products or the installer's misjudgment.

The use of stain, wood filler, or putty stick for correcting defects during installation should be accepted as a normal procedure.

Select boards from three boxes or more for a maximum blend of colors and tones.

STEP 1 – INSTALL UNDERLAYMENT

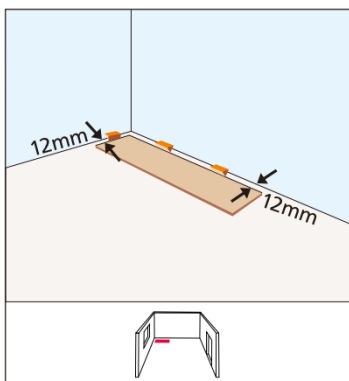


Install approved underlayments for floating engineered wood floor applications. The underlayment should not exceed 3 mm in thickness. Avoid excessive compression or compacting of the underlayments, as this is a common cause of board separation.

If the installation is on concrete, a vapor barrier 6-mil underlayment is required.

IMPORTANT: The planks must be installed perpendicular to the floor joists.

STEP 2 – PREPARE AND SET UP STARTING ROWS AND ROWS AROUND OBSTACLES

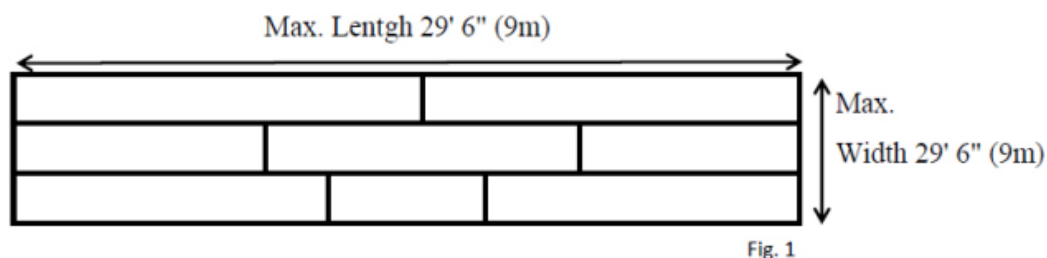


Floating floors require freedom of expansion and contraction without binding or rubbing against vertical surfaces. It is crucial to maintain adequate expansion space between the floating floor and various walls.

Isolate rooms and hallways from other areas using transition molding. (e.g., bedrooms or living room adjacent to the hallway).

Begin at the end wall of the room. Provide expansion space by placing 1/2-inch (12 mm) spacers every 8 inches (20 cm) around different vertical walls.

Leave a 1.5 cm (5/8") gap around each obstacle, including cabinets, islands, and fireplaces. For rooms exceeding 29' 6" (9m) in length, an expansion joint and molding will also be necessary (see Fig. 1).

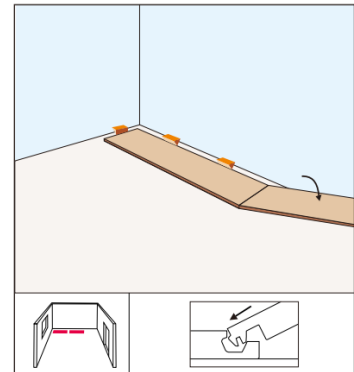


IMPORTANT : A lack of expansion can lead to creaking or separation during humidity variations due to contact with vertical surfaces.

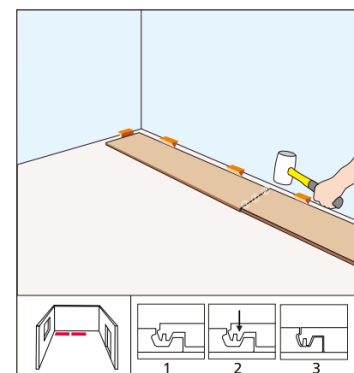
Measure the width of the room perpendicular to the planned direction of the new floor installation. The last row of floor planks should have a width of 1.5 inches (4 cm) or more. If the width of the last row of planks is less than 1.5 inches, use a table saw to reduce the width of the first row of planks. Leave a 1/2-inch (12 mm) gap between the wall and the end of the last plank in each row.

STEP 3 - INSTALLATION

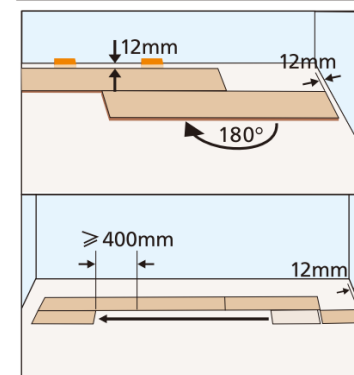
1. Assemble the ends of the planks by fully inserting the tongue of one plank into the groove of the other plank. Continue placing the floor planks, working from left to right.



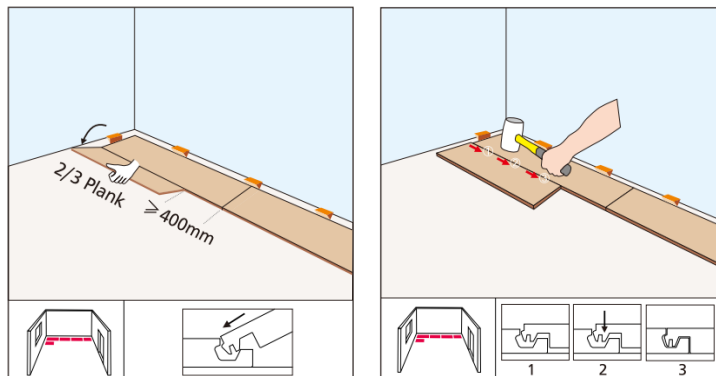
2. To engage the locking system properly, use a mallet. Gently tap with at least 3 blows, one on the short end, one in the middle, and another on the opposite end of the plank (3-1-2).



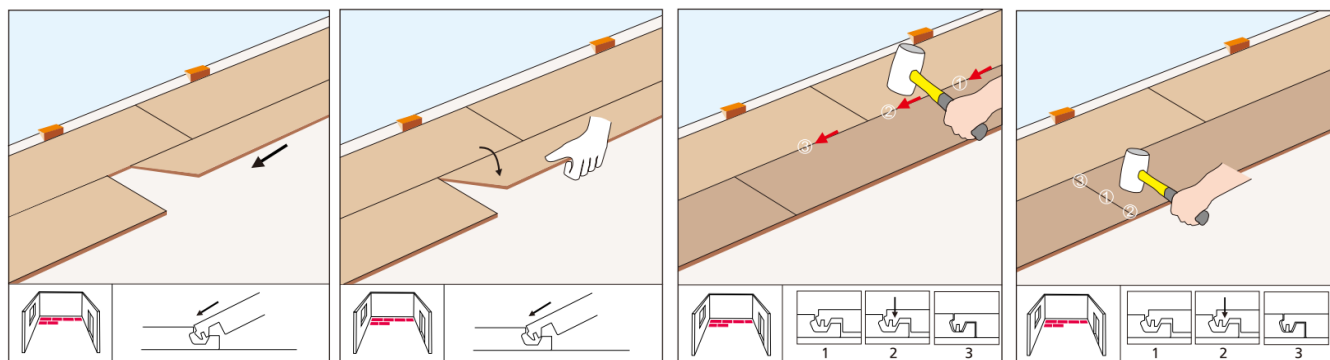
3. Start the second row with a plank that is at least 6 inches (15 cm) shorter or longer than the plank used in the first row. This will prevent aligning or clustering end joints.



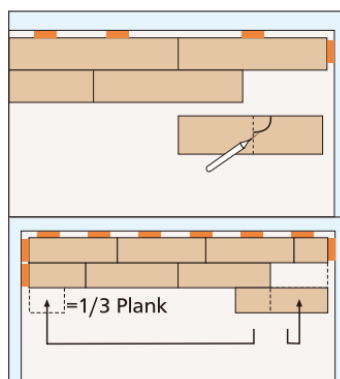
4. Tilt the plank by gently pressing towards the left. Ensure that the plank is well joined with the one above. With the mallet, lightly tap along the length of the plank with at least 3 blows (1-2-3).



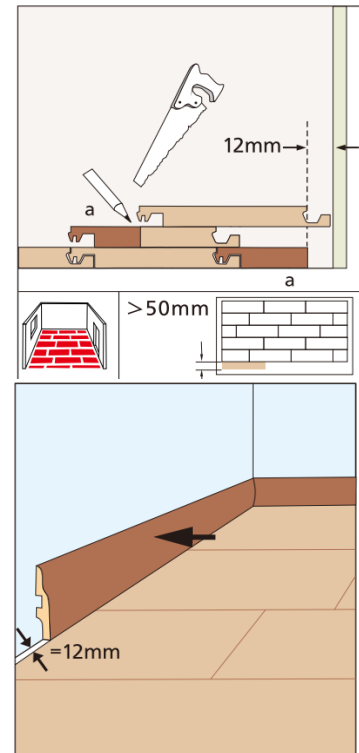
5. Tilt the next plank by gently pressing towards the left, towards the short side of the previous plank. Ensure that the planks are well joined. With the mallet, lightly tap along the length of the plank with at least 3 blows (1-2-3), and 3 blows, one on the short end, one in the middle, and another on the opposite end of the plank (3-1-2).



6. Continue installing the subsequent rows.



- The width of the last row should be 1.5 inches or more (>50 mm). To cut the planks to the correct width, place a full row of planks on the last row of installed planks. Insert a 1/2-inch (12 mm) spacer against the wall, and using a full-width strip, trace a line indicating the correct width of the last row of planks relative to the wall. Cut the planks of the last row along the traced line.



- Finally, install transition pieces, baseboards, and quarter-round molding.

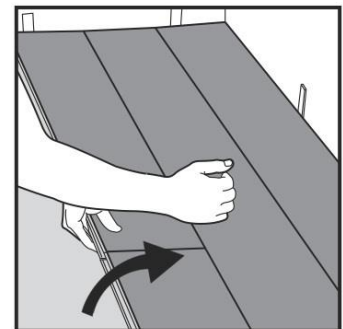
Ensure that the colors of the moldings are similar to the colors of the planks that will be installed around them to achieve an optimal result. As a natural product, wood may exhibit variations in color within the planks and moldings, which is entirely normal.

- Inspect the newly installed floor for any cracks or small gaps and fill them with an appropriate wood-colored filler.

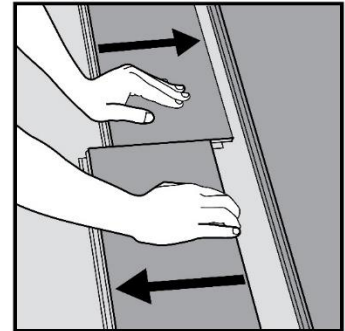
DISMANTLING YOUR FLOORING

Your floor can be easily disassembled, allowing for replacement during installation and also during use.

- Separate the entire row by carefully lifting and gently tapping just above the joint. Tilt and release the entire row.



2. Disassemble the planks from the row by sliding them horizontally WITHOUT tilting.



SECTION 3 - MAINTENANCE

CLEANING

- Regularly sweep or vacuum using a hard floor brush, not a beater bar or mop, to minimize the accumulation of sand and abrasive dust that could damage your floor.
- Clean the floor regularly with a cleaner specifically designed for the finish of a wood floor.
- Never use oil-based cleaners, wax, polish, or overly powerful ammonia or abrasive cleaners, steel wool, or stripping powders.
- Do not use any type of polisher.
- Do not wash or mop with soap, water, oil-based household detergent, or powder, or any other liquid cleaning product other than hardwood floor cleaner. The use of such products could cause swelling, warping, delamination of your floor, or separation of joint lines and may result in warranty cancellation.
- If you spill a liquid or create a stain, immediately absorb it with a damp cloth. Always avoid letting liquids dry on your floor.
- For oil, tar, paint, marker, ink, lipstick, cigarette, or other stubborn stains, test the use of acetone or nail polish remover in an isolated area. Wipe immediately with a damp cloth. If the test does not damage the floor, try treating the stain.

PROTECTING

- Use high-quality doormats and entrance rugs in areas near exterior doors to prevent dust, sand, or other substances such as oil, asphalt, or tar from leaving marks on your floor.
- Use floor protectors and large felt pads under your furniture or appliances to minimize indentations or scratches caused by heavy objects. Consider that the heavier the object, the wider the floor protector should be.
- To prevent slipping, use a rug with a vinyl underlayment. Avoid using rubber or plastic-backed reinforced rugs or mats as they may discolor the floor.
- While your hardwood floor is one of the most wear-resistant on the market, sharp or pointed objects can still damage it.
- Do not walk on your floor with high heels, golf shoes, spiked shoes, or cleats, as they may cause indentations in your floor.

- Periodically rearrange rugs and furniture to ensure even aging of the floor. Exposure to sunlight can lighten or darken the shade of different hardwood species to varying degrees.
- Use a rolling dolly, plywood (>¼ inch), or hardboard panel when moving heavy furniture or appliances. Never attempt to slide or roll heavy objects on the floor.
- Ensure that your pets' claws are always trimmed or consider using pet boots available at pet stores.

SECTION 4 – LIMITED WARRANTY ON ADIRONDACK FLOORING

DURATION AND SCOPE OF WARRANTY

STRUCTURAL INTEGRITY

Subject to the conditions of this warranty, Goodfellow Inc. ("Goodfellow") warrants that its engineered wood flooring products, in their original manufactured condition, are free from any material or manufacturing defects, including in dimensions and grade.

This warranty for structural integrity is offered for the life of the product and applies for as long as the original purchaser owns and resides in the residence where the product was installed.

FINISH WEAR

Subject to the conditions of this warranty, Goodfellow warrants its engineered wood flooring products, in their original manufactured condition, against chipping and complete wear-through of the finish for a period of **twenty-five (25) years for residential applications** and for a period of **three (3) years for commercial applications***, starting from the date of purchase.

Diminishment of gloss is not considered wear. Changes in the level of gloss and color variations are excluded as they are considered normal phenomena.

This warranty for finish wear is offered for the life of the product and applies for as long as the original purchaser owns and resides in the residence where the product was installed.

By purchasing the product, the buyer accepts the warranty and hereby acknowledges that this warranty replaces any other representation, warranty, or condition, whether explicit or implied, statutory or otherwise. Goodfellow does not grant any person or entity the authority to create any obligation or liability on its behalf in connection with Goodfellow flooring.

Goodfellow will not be liable to the customer or any other person for any incidental, special, or consequential damages arising from the breach of this limited warranty or any other implied limited warranty (excluding the warranty of merchantability). Some states or provinces do not allow exclusions or limitations for incidental or consequential damages, in which case the limitations or exclusions mentioned above may not apply to the buyer. This warranty provides the customer with specific legal rights, and these rights may vary by state or province.

TERMS AND CONDITIONS OF THIS WARRANTY

- This limited warranty is conditional upon compliance with the installation instructions outlined herein, including instructions for protecting the floor against subfloor moisture, and adherence to maintenance standards. Failure to comply with these instructions and standards will void the warranty.
- This limited warranty is valid only in North America and the United Kingdom.
- The warranty is not transferable and extends only to the original retail purchaser.
- This limited warranty is conditional upon written notice and supporting documentation being submitted to Goodfellow following the claims procedure detailed below before any repair to confirm that the product has one of the covered defects. Failure to meet these requirements will void the warranty.

EXCLUSIONS

- If the product is found to be unsatisfactory before installation, for whatever reason, it must not be installed and the building owner must notify their dealer immediately. Installation or use of the product constitutes acceptance of the product by the customer. Goodfellow can in no way be held responsible for any costs or defects arising from the installation or use of a defective or nonconforming product.
- Goodfellow shall not be liable for any consequential or special damages or expenses (material, labour or other) arising from the application of this warranty.
- No two pieces of wood are perfectly identical, and variations in color or other characteristics may occur. We do not guarantee against natural variations or the normal difference between color samples or photographs and the color of installed floors.
- The natural characteristics of wood are not considered defects and are specifically excluded from this warranty, including but not limited to mineral streaks, small knots, and grain variations.
- A wood floor is a natural product that expands and contracts with changes in season and temperature. Even when a floor is properly installed, slight separations between planks may occur. If separations occur, they are not covered by this warranty.
- Defects are evaluated by their visibility from a reasonable vertical distance (standing height) from the floor. Any product deformity that is visible only at a certain angle or certain lighting is not considered a defect and is therefore specifically excluded from this warranty.
- This warranty does not cover any damage due to:
 - a. Mishandling, faulty installation, improper storage or faulty building design;
 - b. Movement or settling of the structure or subfloor on which the product is installed;
 - c. Repairs or modifications to the product;
 - d. Excessive or inadequate humidity in the area of use;
 - e. Full or partial exposure to sunlight and weather;
 - f. Indentation, scratches or damage caused by negligence, moisture, insects, animals, and high-heeled or spiked shoes, or failure to use pads under rolling chairs or other furniture;
 - g. Man-made or natural disasters including leaking or broken plumbing, fire, flood, earthquake, or standing water occur during or after installation.
- This warranty specifically excludes all other compensation whatsoever, including labour costs, if necessary, installation or reinstallation costs and other direct or indirect, actual or foreseeable, present or future damage.

CLAIMS PROCEDURE

- This procedure constitutes the only way to make a claim in regards to this limited warranty.
- Before making a claim, please ensure that you have read, understood and followed the installation and maintenance procedures to ensure the validity of your warranty. Any failure covered by this warranty must be reported to the authorized dealer within 30 days of discovery.
- Any claim under this warranty by the purchaser of the product must be made in writing during the warranty period and must include the original purchase invoice or other proof of purchase from the authorized dealer, as well as a description of the problem and a photo or sample clearly showing the warranty problem.
- Following prior written agreement between Goodfellow, the dealer and the product claimant for the resolution of a claim, corrective actions may include:
 - a. A refund equal to the purchase price of the defective product.
 - b. Product replacement, free of charge, equal to the quantity of product to be replaced.
 - c. Subject to the rate accepted by Goodfellow, a refund for the standing and finishing costs incurred to restore the entire floor of the room or rooms.
- In the event of a claim, the owner assumes all other costs including, but not limited to, labour; installation; removal or replacement of cabinets, appliances, furniture or other fixtures; transportation; and any other costs related to the performance of the work.
- Any agreement between Goodfellow, the dealer and the product claimant to refund, replace or otherwise remedy the product shall constitute a final and complete resolution of all claims under this warranty.